

A Word to Mazda Owners

Thank you for choosing a Mazda. We at Mazda design and build vehicles with complete customer satisfaction in mind.

To help ensure enjoyable and trouble-free operation of your Mazda, read this manual carefully and follow its recommendations.

An Authorized Mazda Dealer knows your vehicle best. So when maintenance or service is necessary, that's the place to go.

Our nationwide network of Mazda professionals is dedicated to providing you with the best possible service.

We assure you that all of us at Mazda have an ongoing interest in your motoring pleasure and in your full satisfaction with your Mazda product.

Mazda Motor Corporation
HIROSHIMA, JAPAN

Important Notes About This Manual

Keep this manual in the glove box as a handy reference for the safe and enjoyable use of your Mazda. Should you resell the vehicle, leave this manual with it for the next owner.

Please be aware that this manual applies to all models, equipment and options. As a result, you may find some explanations for equipment not installed on your vehicle.

All specifications and descriptions are accurate at the time of printing. Because improvement is a constant goal at Mazda, we reserve the right to make changes in specifications at any time without notice and without obligation.

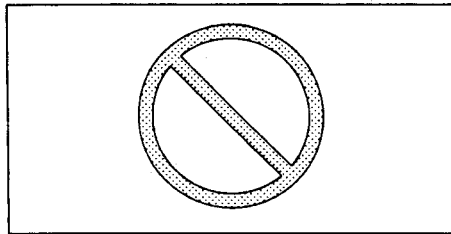
Air Conditioning and the Environment

Your Mazda's genuine air conditioner is filled with R134a, a refrigerant that has been found not to damage the earth's ozone layer. If the air conditioner does not operate properly, consult an Authorized Mazda Dealer.

How to Use This Manual

We want to help you get the most driving pleasure from your vehicle. Your owner's manual, when read from cover to cover, can do that in many ways.

Illustrations complement the words of the manual to best explain how to enjoy your Mazda. By reading your manual, you can find out about the features, important safety information, and driving under various road conditions.



The above symbol in this manual means "Do not do this" or "Do not let this happen".

Index: A good place to start is the Index, an alphabetical listing of all information in your manual.

Sections: This manual has eleven sections. Sections 1 through 10 begin with a brief list of contents, so you can usually tell at a glance if that section has the information you want.

You'll find several WARNINGS, CAUTIONS, and NOTES in the manual.

WARNING

A WARNING indicates a situation in which serious injury or death could result if the warning is ignored.

CAUTION

A CAUTION indicates a situation in which bodily injury or damage to your vehicle, or both, could result if the caution is ignored.




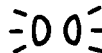

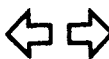






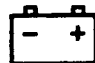










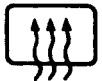




NOTE

A NOTE provides information and sometimes suggests how to make better use of your vehicle.

How to Use This Manual

Graphic symbols:

Some of the following symbols are used to identify controls and displays on your vehicle.

						
LIGHTS	HEADLIGHT HIGH BEAM	HEADLIGHT LOW BEAM	PARKING LIGHTS	ILLUMINATION CONTROL	TURN SIGNALS	HAZARD WARNING FLASHER
						
HOOD RELEASE	CHECK ENGINE LIGHT	FUEL	ENGINE COOLANT TEMPERATURE	ENGINE OIL	BATTERY CHARGING SYSTEM	SEAT BELTS
						
BRAKE SYSTEM	VENTILATION FAN	AIR RECIRCULATION	FRESH AIR	VENT	VENT-FLOOR	FLOOR
						
FLOOR DEFROSTING	DEFROSTING	REAR WINDOW DEFROSTER	WINDSHIELD WIPER & WASHER	LIGHTER	HORN	WASHER FLUID

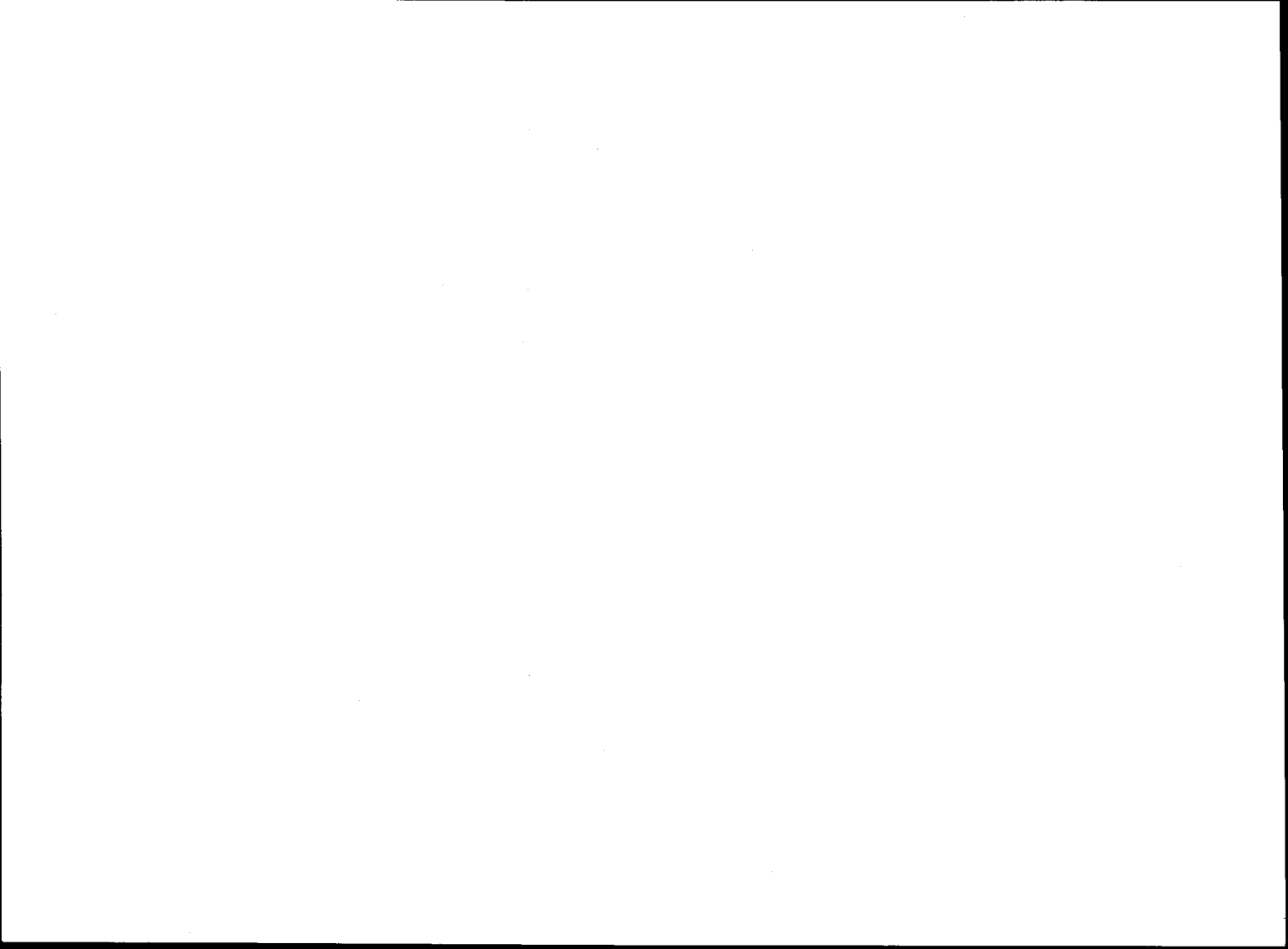
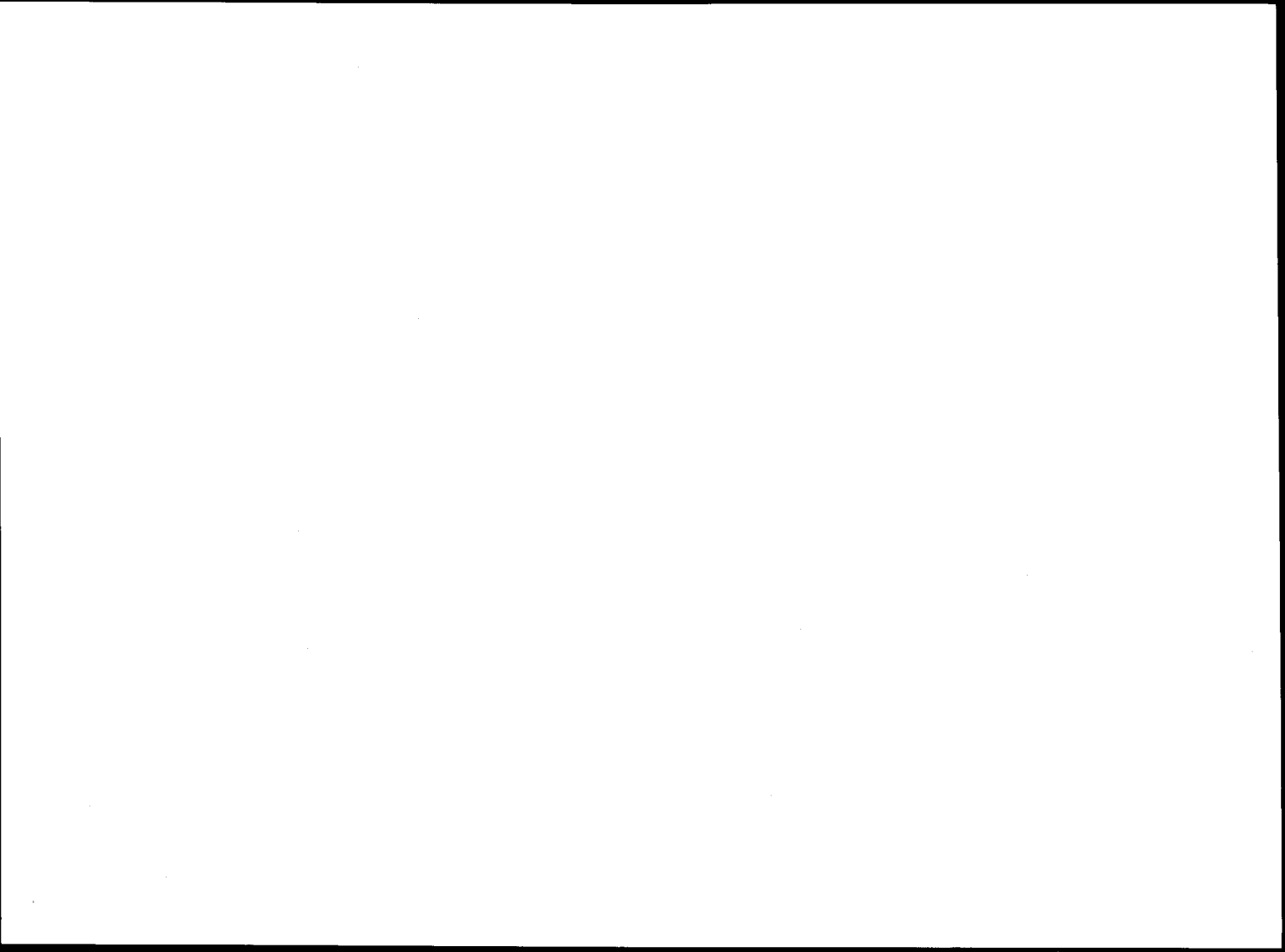


Table of Contents

Your Vehicle at a Glance	1
Essential Safety Equipment	2
Knowing Your Mazda	3
Protecting Your Mazda	4
Driving Your Mazda	5
In Case of an Emergency	6
Appearance Care	7
Maintenance	8
Customer Information Including Information on How to Report Safety Defects (page 9-10)	9
Specifications	10
Index	11



1

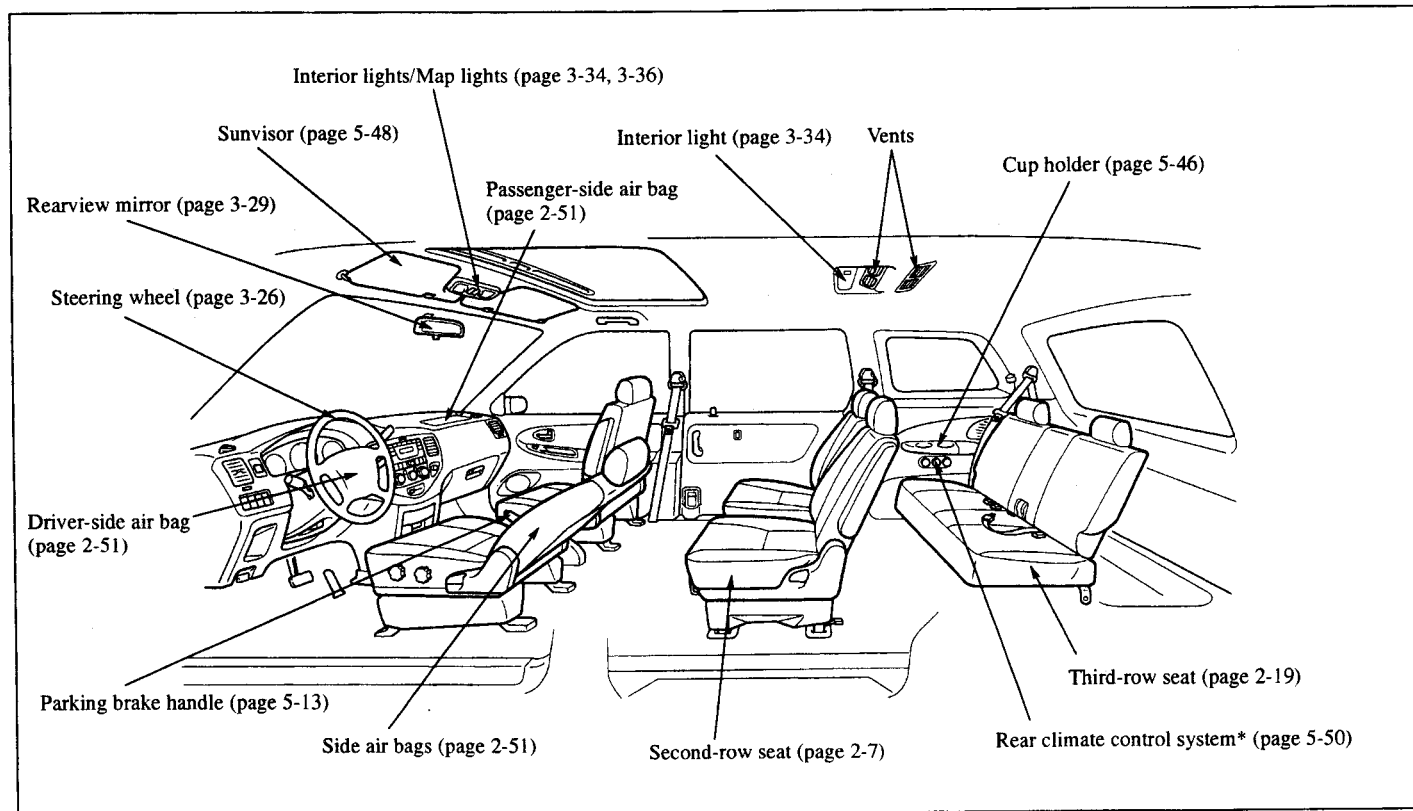
Your Vehicle at a Glance

Your Mazda is a complex vehicle, but the design throughout considers your safety and comfort paramount. This requires many controls, locks, graphic symbols, mechanisms and amenities that need to be understood for proper operation.

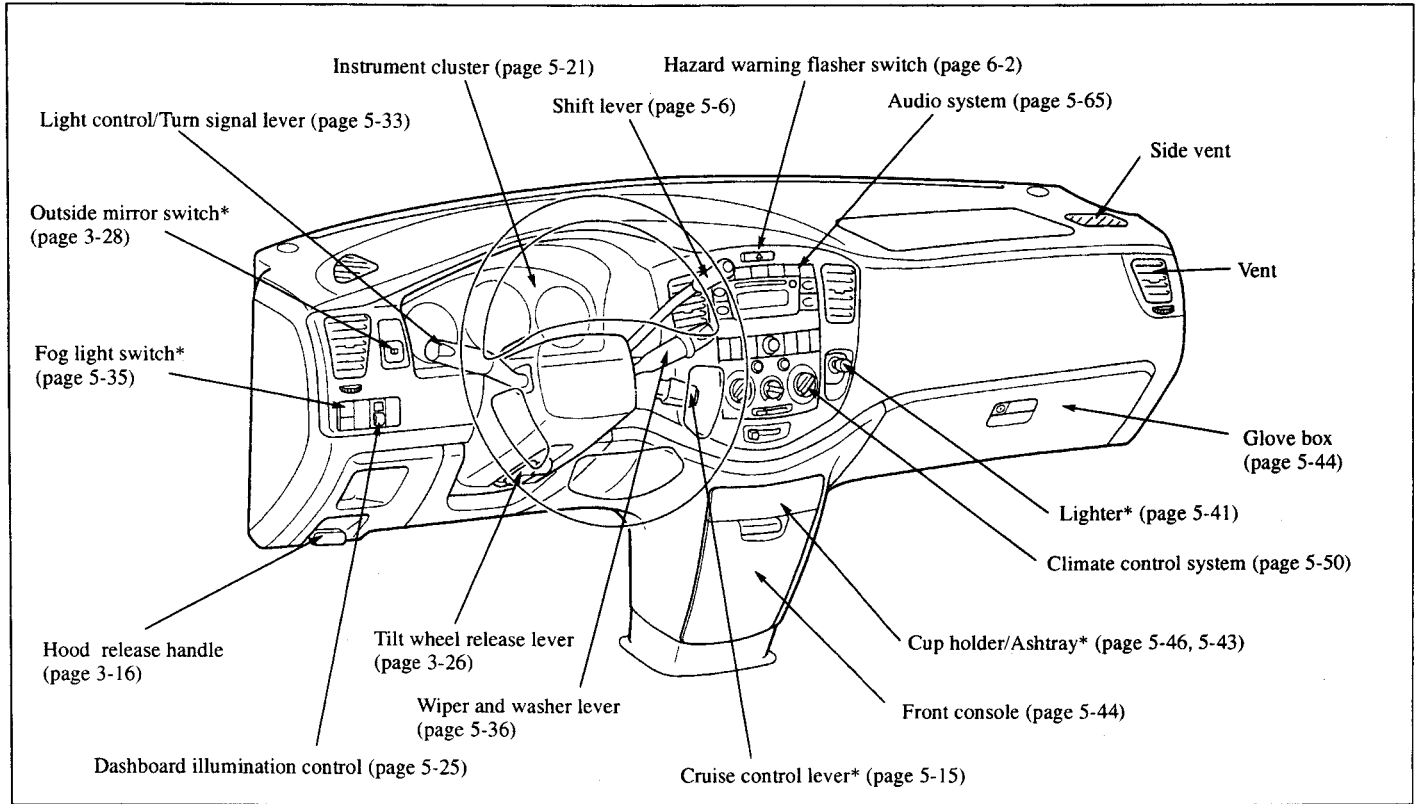
Section 1 illustrates this information to familiarize you with what needs to be known to help make your motoring safer and easier, and lots more fun.

Interior Overview	1- 2
Dashboard Overview	1- 3
Doors	1- 4

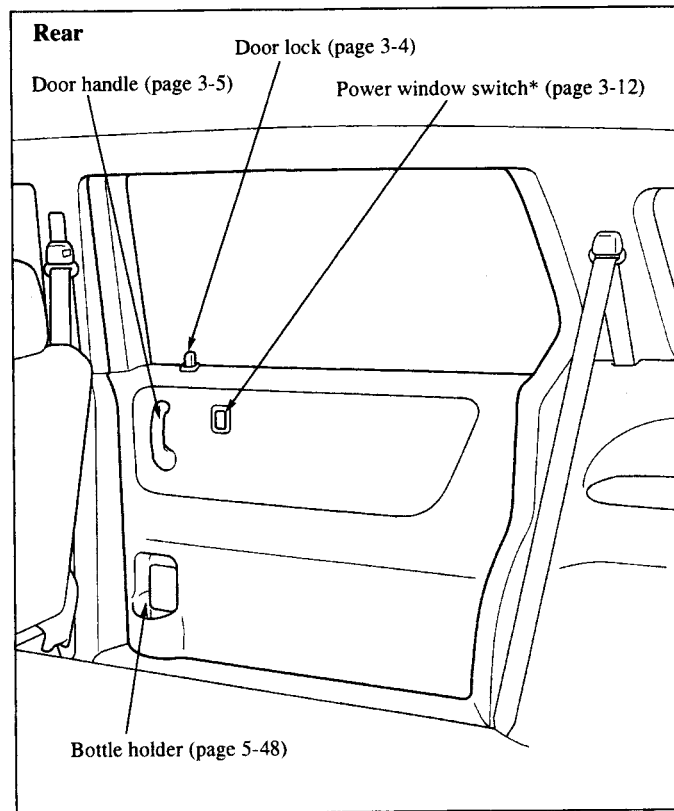
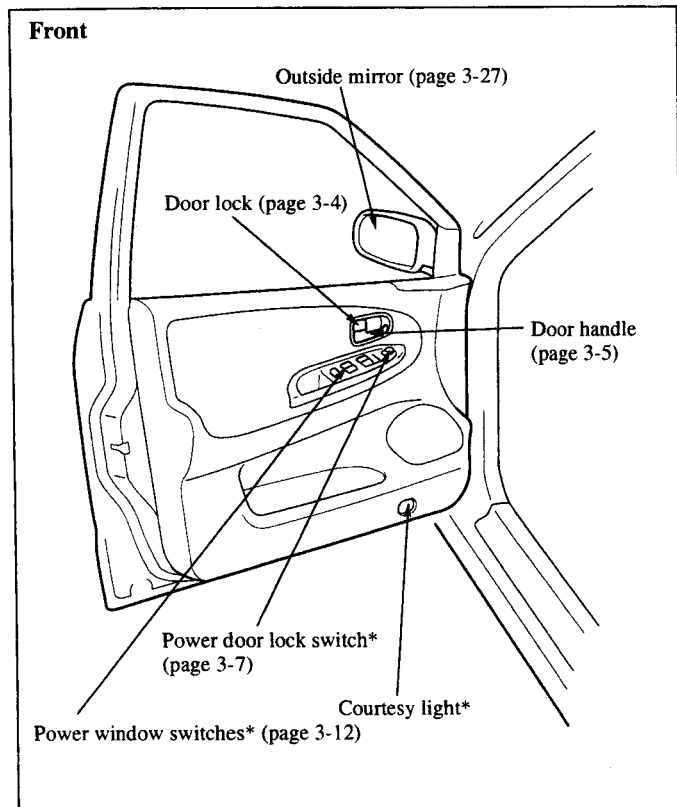
Interior Overview



Dashboard Overview



Doors



2

Essential Safety Equipment

Personal safety and comfort are what make driving your Mazda a pleasurable experience. Section 2 describes essential information for optimal safe driving including seats, seat belt systems and the supplemental restraint systems.

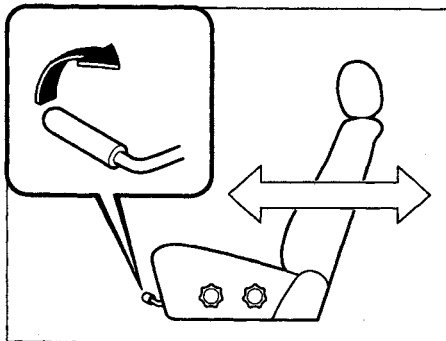
Front Seats	2- 2
Rear Seats	2- 6
Seat Belt System	2-31
Child Restraint	2-41
Supplemental Restraint Systems	2-51

Front Seats

⚠ WARNING

Securing the Seats:

Adjustable seats and seatbacks that are not securely latched are dangerous. In a sudden stop or collision, the seat or seatback could move, causing injury. Make sure the adjustable components of the seat are locked in place by attempting to slide the seat forward and backward and rocking the seatback.



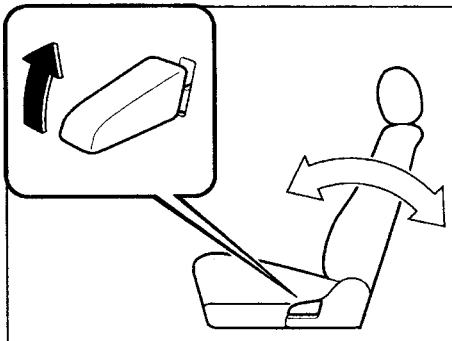
■ **Seat Slide**

To move a seat forward or backward, raise the lever and slide the seat to the desired position.

⚠ WARNING

Driver's Seat Adjustment:

Adjusting the driver's seat while the vehicle is moving is dangerous. The driver could lose control of the vehicle and have an accident. Adjust the driver's seat only when the vehicle is stopped.



■ **Seat Recline**

To change the seatback angle, lean forward slightly while raising the lever. Then lean back to the desired position and release the lever.

Make sure the lever returns to its original position and the seatback is locked in place by attempting to push it forward and backward.

⚠ WARNING

Reclining:
Sitting in a reclined position while the vehicle is moving is dangerous because you don't get the full protection from seat belts. During sudden braking or a collision, you can slide under the lap belt and suffer serious internal injuries. For maximum protection, sit well back and upright.

⚠ CAUTION

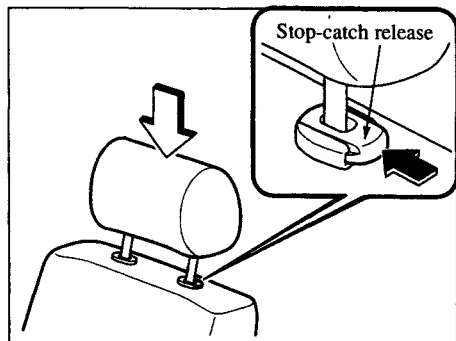
When returning a rear-reclined seatback to its upright position, make sure you support the seatback while operating the seatback lever. If the seatback is not supported, it will flip forward suddenly and could cause injury.

■ **Head Restraint**

⚠ WARNING

Head Restraints Adjustment:
Driving with the head restraints adjusted too low or removed is dangerous. With no support behind your head, your neck could be seriously injured in a collision. Always drive with the head restraints inserted when seats are being used and make sure they are properly adjusted.

Essential Safety Equipment

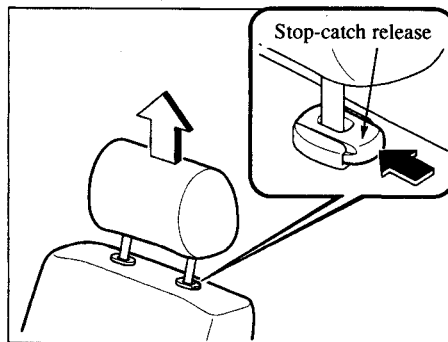


▼ Height adjustment

To raise a head restraint, pull it up to the desired position.

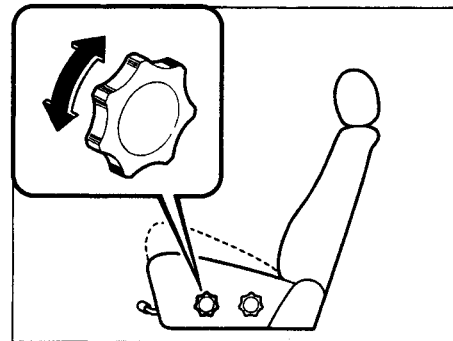
To lower the head restraint, press the stop-catch release, then push the head restraint down.

Adjust the head restraint so that the top parallels the top of the passenger's ears, never the passenger's neck.



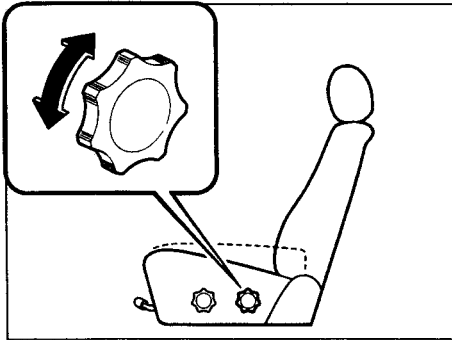
▼ Removal

To remove the head restraint, press the stop-catch release, then pull up on the head restraint.

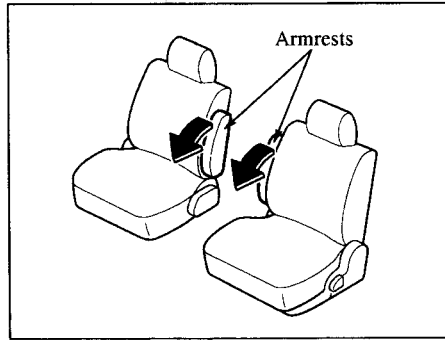


■ Seat Tilt (Driver's Seat)*

The seat-bottom angle can be adjusted by rotating the dial. The front dial tilts the front of the seat bottom upward.



The seat-bottom angle can be adjusted by rotating the dial. The rear dial tilts the rear of the seat bottom upward.

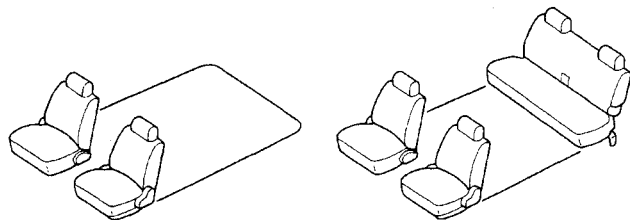
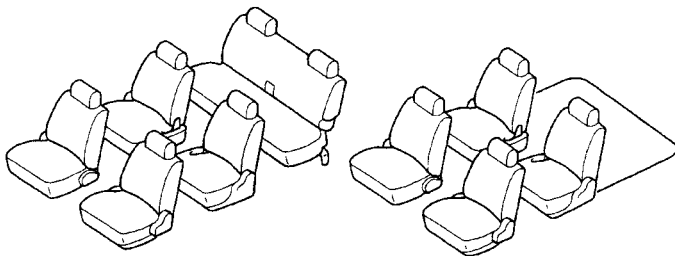


■ **Armrest**

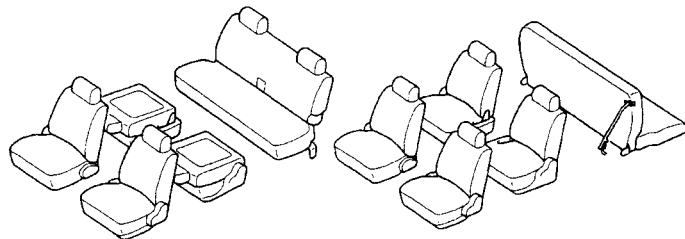
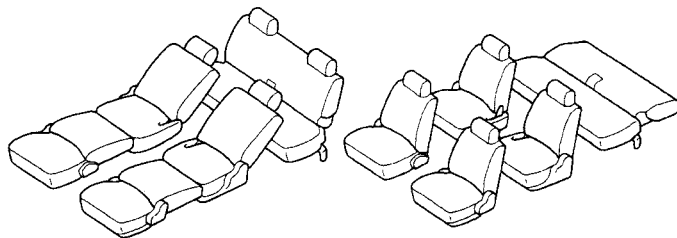
The armrests can be used or placed upright.

Rear Seats

Road positions



Camping/Open liftgate positions



⚠ WARNING

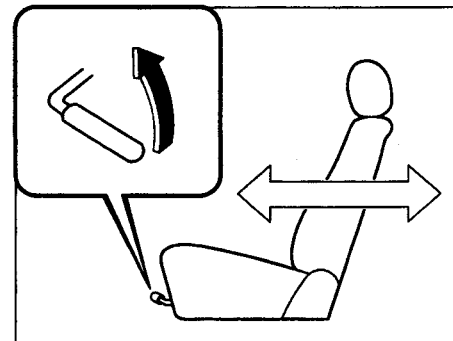
Stacking Cargo:

Stacking luggage or other cargo higher than the seatbacks is dangerous. During sudden braking or a collision, objects can become projectiles that may hit and injure passengers. Don't stack things higher than the seatbacks.

⚠ WARNING

Seat Adjustment:

Adjusting the seat while the vehicle is moving is dangerous. Sudden braking or a collision could cause serious injury. Adjust the seat only when the vehicle is stopped.



■ **Second-Row Seats**

▼ **Sliding upright seat***

To move a seat forward or backward, raise the lever and slide the seat to the desired position.

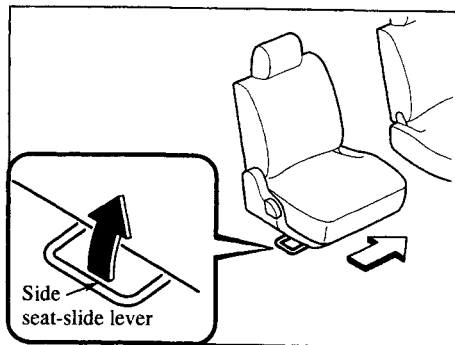
⚠ WARNING

Securing Seat:

Adjustable seats and seatbacks that are not securely latched are dangerous. In a sudden stop or collision, the seat or seatback could move, causing injury. Make sure the adjustable components of the seat are locked in place by attempting to slide the seat forward and backward and rocking the seatback.

⚠ CAUTION

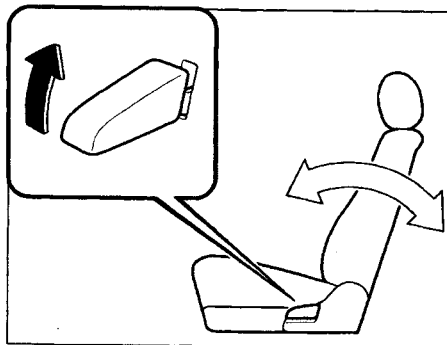
After sliding the seat, make sure it is securely locked by moving the seat forward or backward.



▼ Side-sliding seat (right side)

The second-row seats can be put together and used as a bench seat.

Raise the side seat-slide lever and slide the seat sideways.



▼ Seat recline

To change the seatback angle, lean forward slightly while pulling the lever. Then lean back to the desired position and release the lever.

WARNING

Reclining:

Sitting in a reclined position while the vehicle is moving is dangerous because you don't get the full protection from seat belts. During sudden braking or a collision, you can slide under the lap belt and suffer serious internal injuries. For maximum protection, sit well back and upright.

CAUTION

After sliding the seat, make sure it is securely locked by moving the seat from side to side.

 **WARNING**

Unlocked Seatbacks:
Seatbacks play an important role in your protection in a vehicle. Leaving the seatbacks unlocked is dangerous as they can allow passengers to be ejected or thrown around and baggage to strike occupants in a sudden stop or collision, resulting in severe injury. After adjusting the seats at any time, attempt to push the seatbacks forward and backward to make sure they are locked in place.

 **CAUTION**

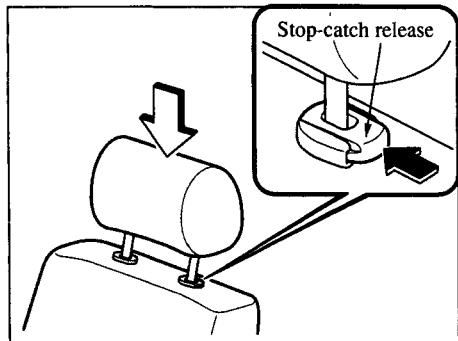
When returning a rear-reclined seatback to its upright position, make sure you support the seatback while operating the seatback lever. If the seatback is not supported, it will flip forward suddenly and could cause injury.

▼ **Head restraint**

 **WARNING**

Head Restraints Adjustment:
Driving with the head restraints adjusted too low or removed is dangerous. With no support behind your head, your neck could be seriously injured in a collision. Always drive with the head restraints inserted when seats are being used and make sure they are properly adjusted.

Essential Safety Equipment

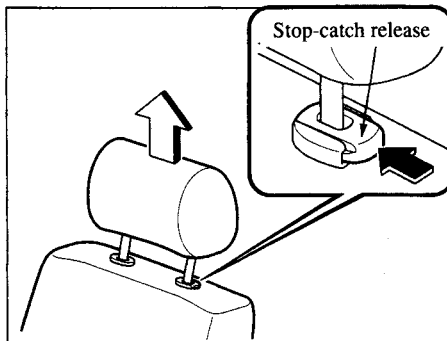


Height adjustment

To raise the head restraint, pull it up to the desired position.

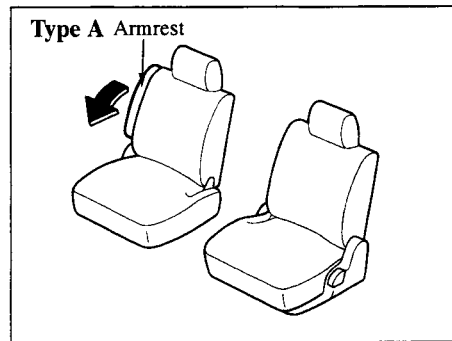
To lower the head restraint, press the stop-catch release, then push the head restraint down.

Adjust the head restraint so that the top parallels the top of the passenger's ears, never the passenger's neck.



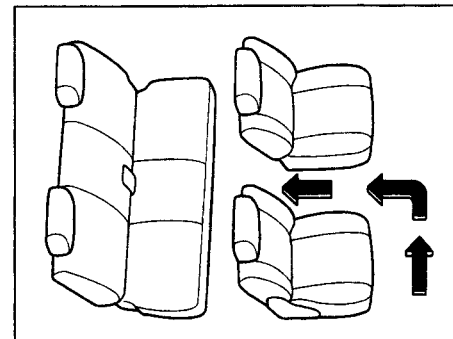
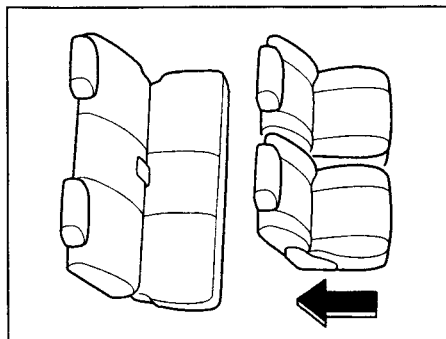
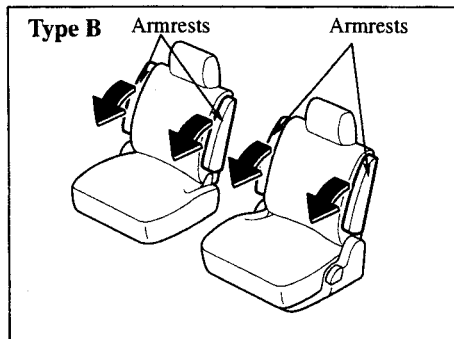
Removal

To remove the head restraint, press the stop-catch release, then pull up on the head restraint.



▼ Armrest

The armrests can be used or placed upright.



▼ **Third-row seat access**

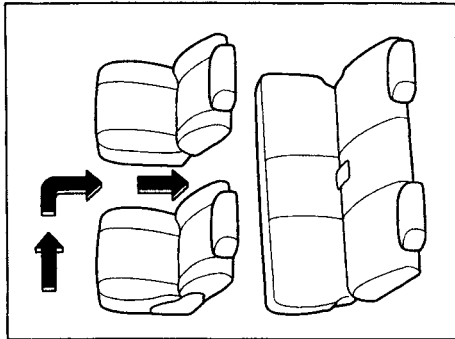
Passenger side access to the third-row seat via the sliding door

The easiest access to the third-row seat is when the second-row seats are together.

Move along the path between the sliding door and the side sliding seat (right side).

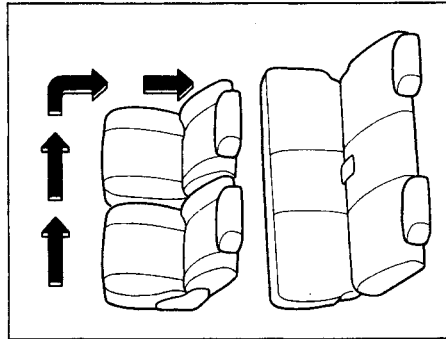
If the second-row seats are separated, pass between them and move to the rear of the vehicle.

Essential Safety Equipment

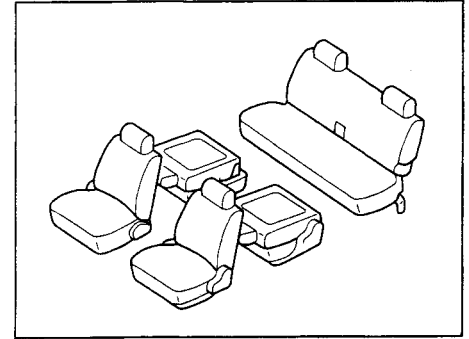


Driver's side access to the third-row seat

The easiest access to the third-row seat from the driver's side of the vehicle is when the second-row seats are separated.



If the second-row seats are together, you can go around them both, passing between the sliding door and the sliding passenger seat.



▼ Folding the second-row seats*

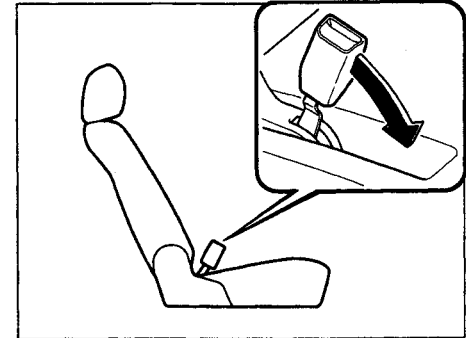
The second-row seatbacks can be folded down and used as tables when the vehicle is not moving.

⚠ WARNING

Using Folded Seatback as a Table While the Vehicle is Moving:
 Using the folded seatback as a table while driving is dangerous. During sudden braking or a collision, objects placed on the folded seatback could become projectiles that could hit and injure someone. Never use the folded seat as a table while the vehicle is moving.

⚠ WARNING

Passenger on the Folded Seatback:
 Driving with a passenger on the folded seatback is dangerous. Allowing a child to sit up on the folded seatback while the vehicle is moving is particularly dangerous. In a sudden stop or even a minor collision, a child not in a proper seat or child-restraint system and seat belt could be thrown forward, back or even out of the car resulting in serious injuries or death. The child or other objects in the baggage area could be thrown into other occupants and cause serious injury. Never allow a passenger to sit or stand on the folded seatback while the vehicle is moving.

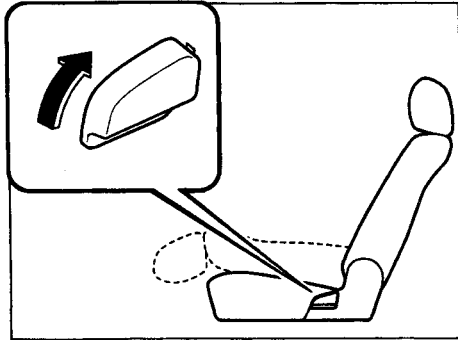


To fold the rear seatback

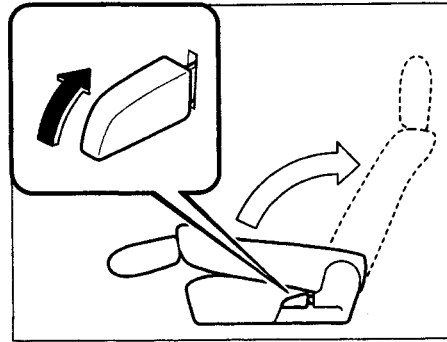
1. Put the buckle in the pocket of the seat bottom.

⚠ CAUTION

Lowering the seatback without stowing the seat belt buckle could damage the seatback.



2. Raise the reclining lever and lower the seatback forward.
Make sure the seatback is locked.



To return the seatback to the upright position

Raise the reclining lever and lift the seatback upright. Attempt to move the seatback forward and backward to make sure it is locked.

⚠ WARNING

Unlocked Seatback:

A seatback plays an important role in your protection in a vehicle. Leaving the seatback unlocked is dangerous as it can allow passengers to be ejected or thrown around and baggage to strike occupants in a sudden stop or collision, resulting in severe injury. After adjusting the seat at any time, even when there are no other passengers, push the seatback forward and backward to make sure it is locked in place.

▼ **Removing and installing second-row seats**

The second-row seats can be removed to create a more comfortable space between the third-row and front seats. Additional cargo space is available with the removal of the second-row seats and stowing of the third-row seat.

 **WARNING**

Seat Removal or Installation While Vehicle is Moving or on a Slope:
Removing or installing the rear seats while the vehicle is moving or on a slope is dangerous. The seats are heavier than they appear and could suddenly detach causing serious injury. Remove or install the seats with the vehicle parked on a level surface.

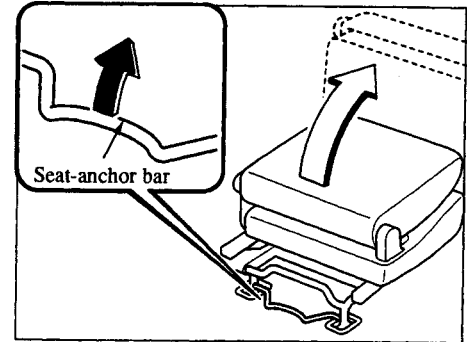
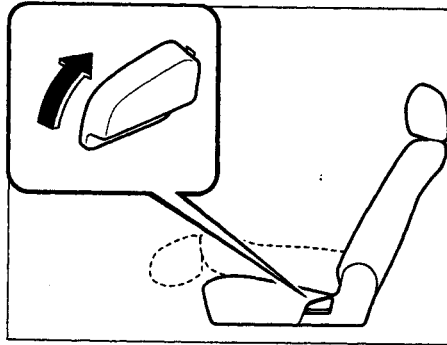
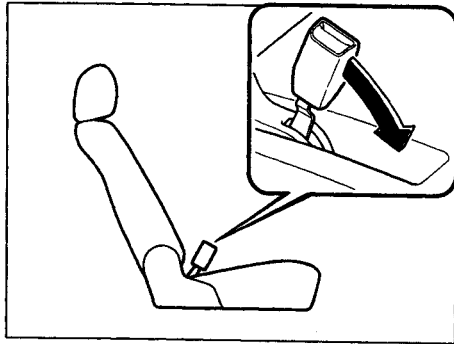
 **WARNING**

Riding on the Floor Space:
Riding on the floor space created by the removal of the second-row seats is dangerous. Sudden braking or a collision could cause serious injury. Do not sit or lie in the floor space for the second-row seats while the vehicle is moving. Never ride in a vehicle where you can't sit in the seat and wear the seat belt.

 **WARNING**

Pinching Fingers or Hands:
Placing your hands around the seat anchors when removing or installing the rear seats is dangerous. You could pinch your hands or fingers between the seat anchor and the seat. Hold the edge of the seat when lowering it into place. Never place your hands between the seat anchor and the seat.

Essential Safety Equipment



To remove the seat

1. Put the buckle in the pocket of the seat bottom.

CAUTION

Lowering the seatback without stowing the seat belt buckle could damage the seatback.

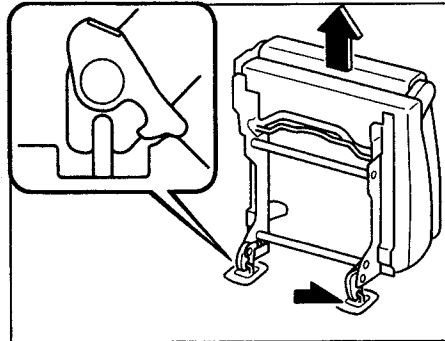
2. Lower the head restraint all the way down.
3. Slide the seat all the way back.
4. Raise the reclining lever and lower the seatback forward.
Make sure the seatback is locked.
5. Work only on one seat at a time to avoid one seat falling while working on another.
6. Lift and hold the seat-anchor bar and raise the entire seat up and forward.

⚠ WARNING

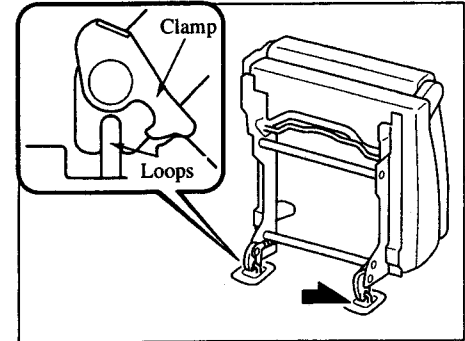
Lifting the Seat Anchor Bar:

Lifting the seat-anchor bar without firmly supporting the seat with your hand is dangerous.

Lifting the seat unlocks the front clamps automatically and could cause the seat to fall. Support the seat firmly while lifting the seat-anchor bar.

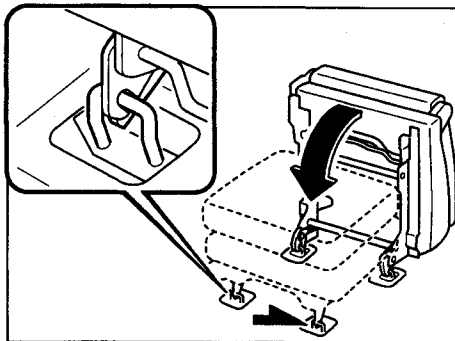


7. The seat is heavier than it looks, carefully pull up and detach the seat. Get assistance to lift it out of the vehicle.



To install the seat

1. First identify which seat fits which position by verifying that the seat belt buckles point to the center (inboard) of the vehicle.
2. Align the clamps on the front underside of the seat with the forward loop anchors on the floor and support the seat so that it doesn't fall (the rear portion of the seat cannot be mounted first). The clamps on the front of the seat automatically lock into the floor loop anchors after lowering the seat.



3. Supporting the seat with your hands, slowly lower the seat rearwards to lock it in place.
4. Raise the reclining lever and lift the seatback upright. Attempt to move the seatback forward and backward to make sure it is locked.
5. Buckle the seat belts once just to confirm the seat belt buckles are inboard which means each seat is on the correct side of the vehicle.

⚠ WARNING

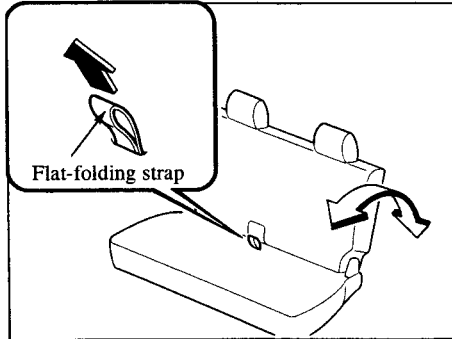
Unsecured Seat:
Driving with the seat unsecured is dangerous. The seat may become detached while the vehicle is moving causing serious injury. After installing the seat, push it forward and backward to make sure it is securely locked.

⚠ WARNING

Unlocked Seatbacks:
Seatbacks play an important role in your protection in a vehicle. Leaving the seatbacks unlocked is dangerous as they can allow passengers to be ejected or thrown around and baggage to strike occupants in a sudden stop or collision, resulting in severe injury. After adjusting the seats at any time, even when there are no other passengers, push the seatbacks forward and backward to make sure they are locked in place.

⚠ CAUTION

Do not move the side seat-slide lever with the seat removed. The lever could be damaged resulting in loss of functionality.



■ **Third-Row Seat**

The third-row seat can be reclined halfway or completely flat for use as a narrow bed or rest when the vehicle is safely parked.

▼ **Seat recline**

To change each individual seatback angle, lean forward slightly while pulling the third-row seat's flat-folding strap. Then lean back to the halfway position and release it.

⚠ WARNING

Reclining:
Sitting in a reclined position while the vehicle is moving is dangerous because you don't get the full protection from seat belts. During sudden braking or a collision, you can slide under the lap belt and suffer serious internal injuries. For maximum protection, sit well back and upright.

⚠ WARNING

Unlocked Seatback:
A seatback plays an important role in your protection in a vehicle. Leaving the seatback unlocked is dangerous as it can allow passengers to be ejected or thrown around and baggage to strike occupants in a sudden stop or collision, resulting in severe injury. After adjusting the seat at any time, even when there are no other passengers, push the seatback forward and backward to make sure it is locked in place.

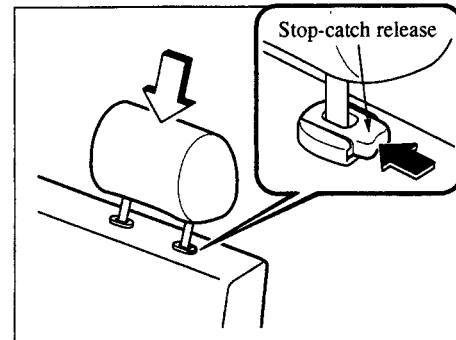
⚠ CAUTION

When returning a rear-reclined seatback to its upright position, make sure you support the seatback while operating the seatback lever. If the seatback is not supported, it will flip forward suddenly and could cause injury.

▼ Head restraint

⚠ WARNING

Head Restraints Adjustment:
Driving with the head restraints adjusted too low or removed is dangerous. With no support behind your head, your neck could be seriously injured in a collision. Always drive with the head restraints inserted when seats are being used and make sure they are properly adjusted.

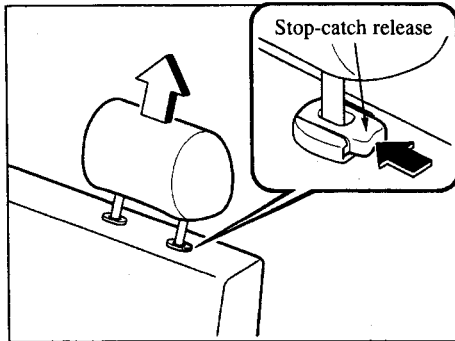


Height adjustment

To raise the head restraint, pull it up to the desired position.

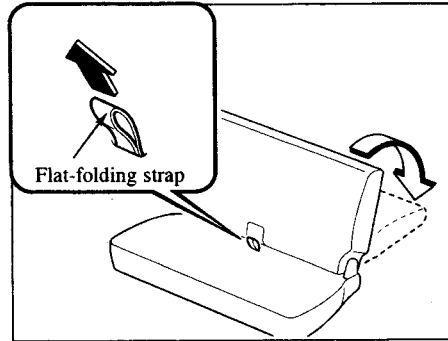
To lower the head restraint, press the stop-catch release, then push the head restraint down.

Adjust the head restraint so that the top parallels the top of the passenger's ears, never the passenger's neck.



Removal

To remove the head restraint, press the stop-catch release, then pull up on the head restraint.



▼ Folding the third-row seat flat

1. Remove the head restraints from the third-row seat (page 2-21).
2. Pull the third-row seat's flat-folding strap and push the seatback down until it locks.

WARNING

Riding on Folded Flat Third-Row Seat:

Riding on the third-row seat when it's folded is dangerous. During sudden braking or a collision, passenger's could be thrown around inside the vehicle and seriously injured. Always ride with the third-row seat in the upright position and seat belt securely fastened.

WARNING

Stacking Luggage and Other Cargo:
Stacking luggage and other cargo higher than the seatbacks is dangerous. During sudden braking or a collision, it can become a projectile that may hit and injure passengers. Don't stack things higher than the seatbacks.

▼ Stowing the third-row seat

More storage space can be created by folding away the third-row seat into the rear seat well. With both the second and third-row seats removed, even more space is available.

WARNING

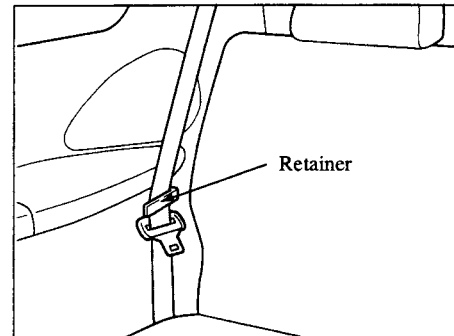
Riding in the Seat Well:
Riding in the seat well for the third-row seat is dangerous. Sudden braking or a collision could cause serious injury. Do not sit or lie in the seat well while the vehicle is moving. Never ride in a vehicle where you can't sit in the seat and wear the seat belt.

WARNING

Pinching Fingers or Hands:
Placing your hands around the seat stowage well when stowing the third-row seat is dangerous. You could pinch your hands or fingers between the seat and the well. Hold the handle when lowering the seat into place. Never place your hands between the seat and the seat well.

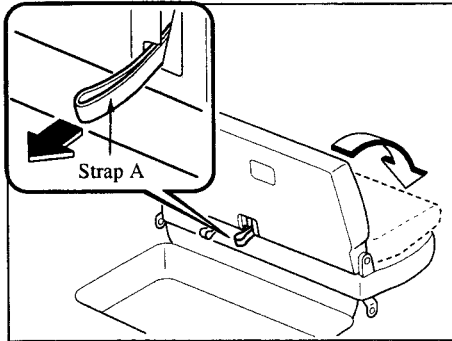
NOTE

Remove any items from the seat well for the third-row seat before stowing the seat. Anything in the baggage area when the seat is set into the well can damage the seatback material and prevent a flat cargo area.



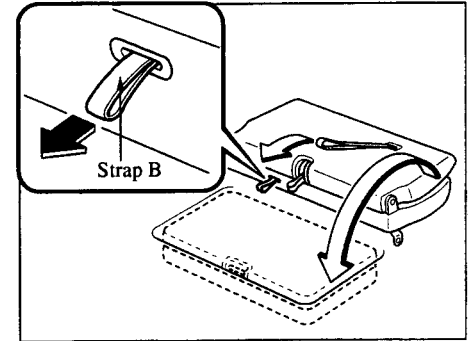
Stowing the third-row seat

1. Insert the belts in the retainers.



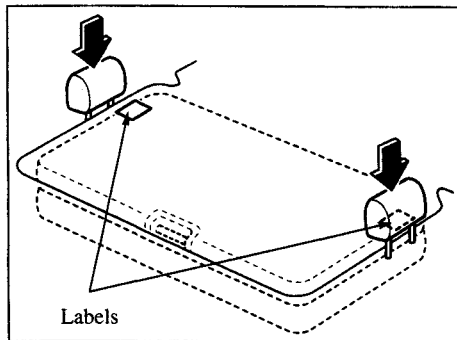
⚠ WARNING

Unlocked Seatback:
An unlocked seatback is dangerous. While stowing the seat, the seatback could suddenly move causing serious injury. Push the seatback forward and backward to make sure it is locked in place.

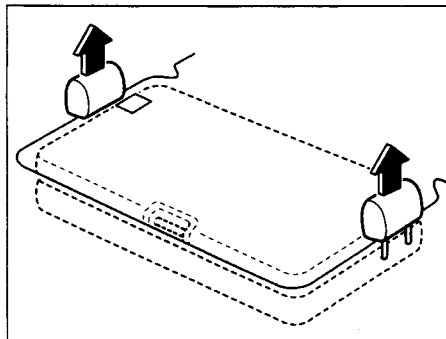


2. Remove the head restraint and set them a side temporarily (page 2-21).
3. Pull strap A and ease the seatback forward into the vehicle with your other hand and be sure it locks with a click.

4. Pull strap B and lift the combined seatback and seat bottom up to vertical with your other hand. Gently set the seat the remainder of the way down into the seat well.

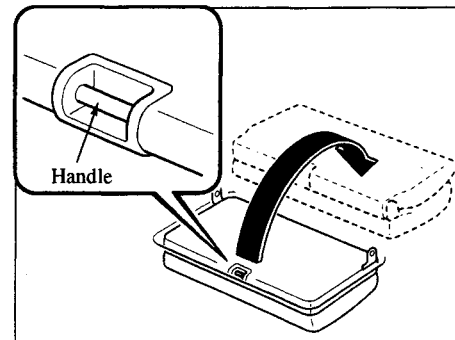


5. Insert the head restraints between the floor and seat at the positions indicated on the labels.



Raising the third-row seat upright for road use

1. Clear the entire cargo floor.
2. Remove the head restraints.

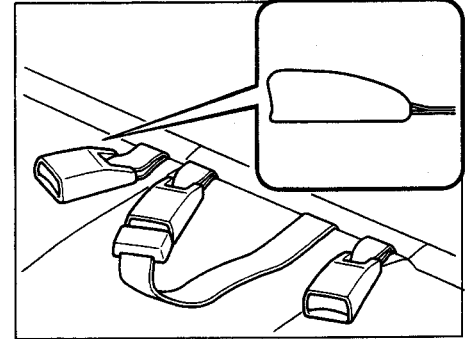
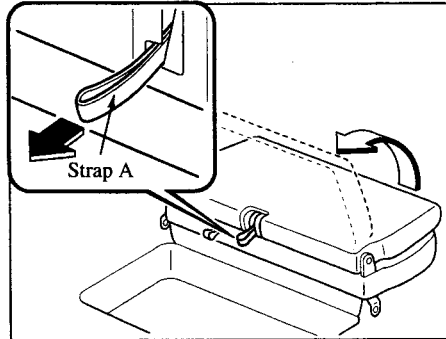


3. Carefully reverse the procedures used to lower the seat into the seat well. Use the handle and ease the combined seatback and seat bottom up to vertical.
4. Carefully lower the seat forward and make sure it's latched to the floor.

⚠ WARNING

Unlocked Seat:

An unlocked seat is dangerous. While moving the seat, it could suddenly move causing serious injury. Make sure that the seat is securely locked. Push the seat forward and backward to make sure it's locked in place.



5. Pull strap A and raise the seatback upright. Attempt to move the seatback forward and backward to make sure it is locked.
6. Insert the head restraints.

7. Place the seat belt buckles face up.

 **WARNING**

Unlocked Seatback:

A seatback plays an important role in your protection in a vehicle. Leaving the seatback unlocked is dangerous as it can allow passengers to be ejected or thrown around and baggage to strike occupants in a sudden stop or collision, resulting in severe injury. After adjusting the seat at any time, even when there are no other passengers, push the seatback forward and backward to make sure it is locked in place.

■ **Third-Row Seat and Open Liftgate Position***

 **WARNING**

Support Bar:

Sitting in the rear-facing, third-row seat position without installing the support bar is dangerous.

Without the support of the bar, the seatback could collapse resulting in injury.

Always install the support bar before sitting in the rear-facing, third-row seat position.

 **WARNING**

Rear Facing Third-Row Seat and a Moving Vehicle:

Driving with the third-row seat facing rearward is dangerous because the liftgate cannot be securely closed. During sudden braking or a collision, passengers could be thrown out of the vehicle resulting in serious injury or death. Place the third-row seat in the forward-facing position with the seatback upright before driving the vehicle.

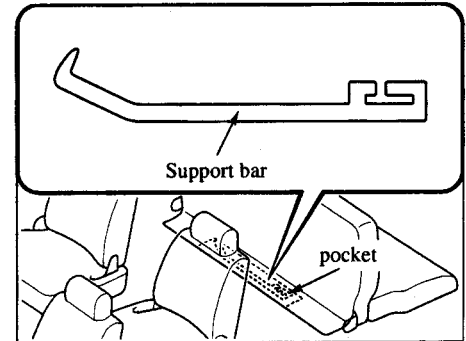
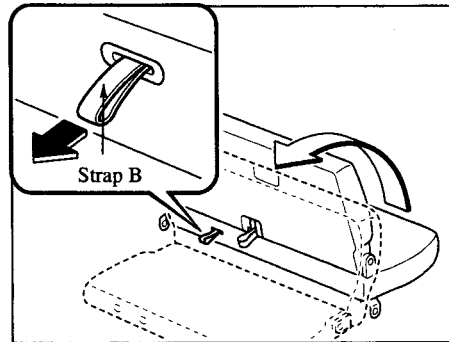
⚠ WARNING

Third-Row Seat and the Flat-Folding Strap:

Pulling the flat-folding strap with the third-row seat facing rearward is dangerous. The seatback will collapse into the seat bottom and could result in injury. Do not pull the flat-folding strap with the third-row seat facing rearward.

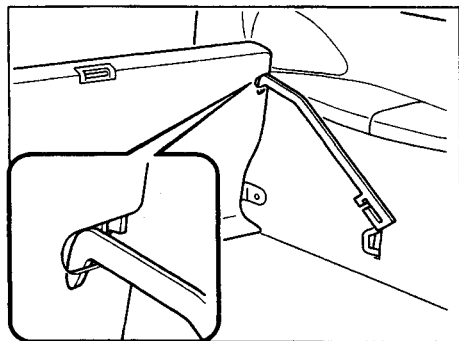
NOTE

- Adjust the seatback to the upright position when the third-row seat is facing rearward.
- Remove cargo from the seat well area before placing the third-row seat in the rear-facing position.

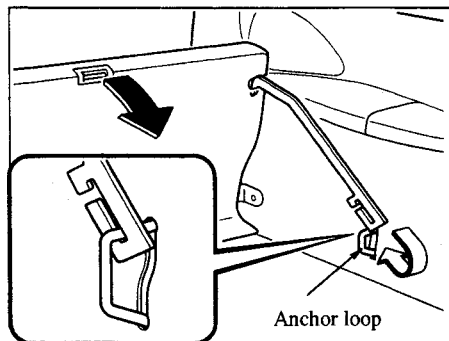


▼ To put the third-row seat in the rear facing position:

1. Open the liftgate.
2. Clear away all cargo from the seat well.
3. Remove the head restraints.
4. Pull strap B while supporting the seatback with the other hand and carefully ease the seatback rearward and into the seat well.
4. Go inside the vehicle and to the rear.
5. Remove the support bar from the pocket as illustrated above.



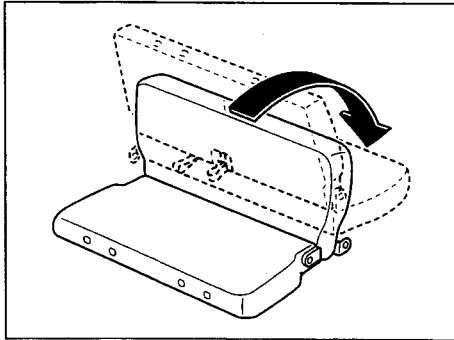
6. Set the hook on the support bar in the rear of the seatback as illustrated above.



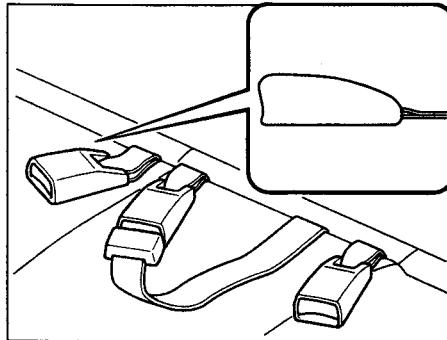
7. Pull the seatback towards the front of the vehicle until the opposite end of the support bar hooks onto the anchor loop. Attempt to push the seatback towards the rear (liftgate) to make sure the support bar is securely latched.

▼ **To return the third-row seat to the road position (forward facing)**

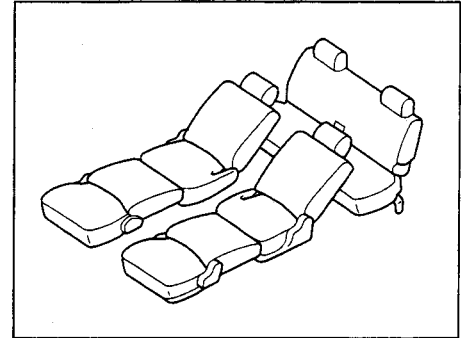
1. Detach the support bar by following the reverse procedure for installation (page 2-27).



2. From inside the vehicle, carefully lower the seat towards the front until it locks in place. Attempt to move the seat forward and backward to make sure it's securely locked in place.
3. Reinsert the head restraints.



4. Place the seat belt buckles face up.



■ **Folding The Second-Row and Front Seats Flat***

The second-row and front seats can be folded down for use as beds when the vehicle is safely parked.

⚠ WARNING

Unsecured Seat:
Driving with the seat unsecured is dangerous. The seat may become detached while the vehicle is moving resulting in serious injury. After installing the seat, attempt to push it forward and backward to make sure it's securely locked in place.

⚠ WARNING

Full-Flat Seats:

Sitting or lying on seats folded flat is a dangerous way to ride. During sudden braking or a collision you could be thrown around inside the vehicle and seriously injured. Don't ride on the seatbacks folded flat.

⚠ CAUTION

When returning a rear-reclined seatback to its upright position, make sure you support the seatback while operating the seatback lever. If the seatback is not supported, it will flip forward suddenly and could cause injury.

To fold the seats flat

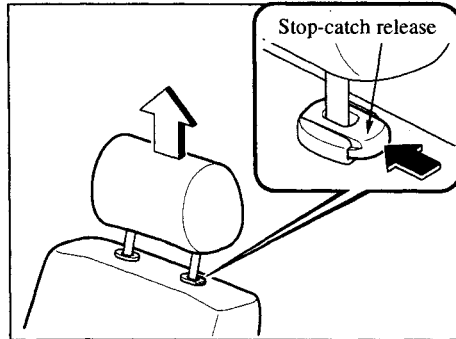
1. Pull the seat slide levers and slide the second-row seats all the way back (page 2-7).
2. Raise the recline levers and fold down the second-row seatbacks rearward until they lock.

⚠ WARNING

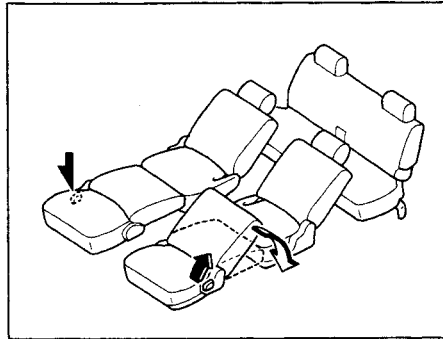
Stacking Luggage and Other Cargo:

Stacking luggage and other cargo higher than the seatbacks is dangerous. During sudden braking or a collision, objects can become projectiles that may hit and injure passengers. Don't stack things higher than the seatbacks.

Seat Belt System



3. Remove the head restraints from the front seats.
4. Pull the seat slide levers and slide the front seats all the way forward (page 2-2).



5. Raise the recline levers and fold down the front seatbacks rearward until they lock (page 2-3).
6. To return the seats to their road positions, reverse the procedures for folding the second-row and front seats flat.

Seat belts help to decrease the possibility of severe injury during accidents and sudden stops. Mazda recommends that the driver and all passengers always wear seat belts.

All of the door-side seat belt retractors are designed to keep the lap/shoulder belts out of the way when not in use.

The driver's seat belt has no provisions for child-restraint systems and has only an emergency locking mode. The driver may wear it comfortably, and it will lock during a collision.

However, the front passenger's seat and rear door-side lap/shoulder belt retractors operate in two modes, emergency locking mode and for child-restraint systems, automatic locking mode.

The rear center seat positions have a lap belt with manual adjustment.

Emergency locking mode

If the belt has fully retracted, it will always be in the emergency locking mode until you move it into automatic locking mode by pulling the belt all the way out to its full length. In the emergency locking mode, the belt remains comfortable on the occupant and the retractor will lock in position during a collision.

If the belt feels tight and hinders comfortable movement while the vehicle is stopped or in motion, you may be in the automatic locking mode because you have pulled the belt too far out. To return to the more comfortable emergency locking mode, wait until you can stop the vehicle in a safe area, retract the belt fully to convert it back to emergency locking mode and then again extend it around you.

Automatic locking mode

Always use the automatic locking mode to keep the child-restraint system from shifting to an unsafe position in the event of an accident. To get the seat belt into the automatic locking mode, pull it all the way out and connect it as instructed on the child-restraint system. It will retract down to the child-restraint system and stay locked on it. See the section on child restraint (page 2-41).

WARNING

Not Wearing Seat Belts:

Not wearing a seat belt is extremely dangerous. During a collision, occupants not wearing seat belts could hit someone or things inside the vehicle or even be thrown out of the vehicle. They could be seriously injured or even killed. In the same collision, occupants wearing seat belts would be much safer. Always wear your seat belt and make sure all occupants are properly restrained.